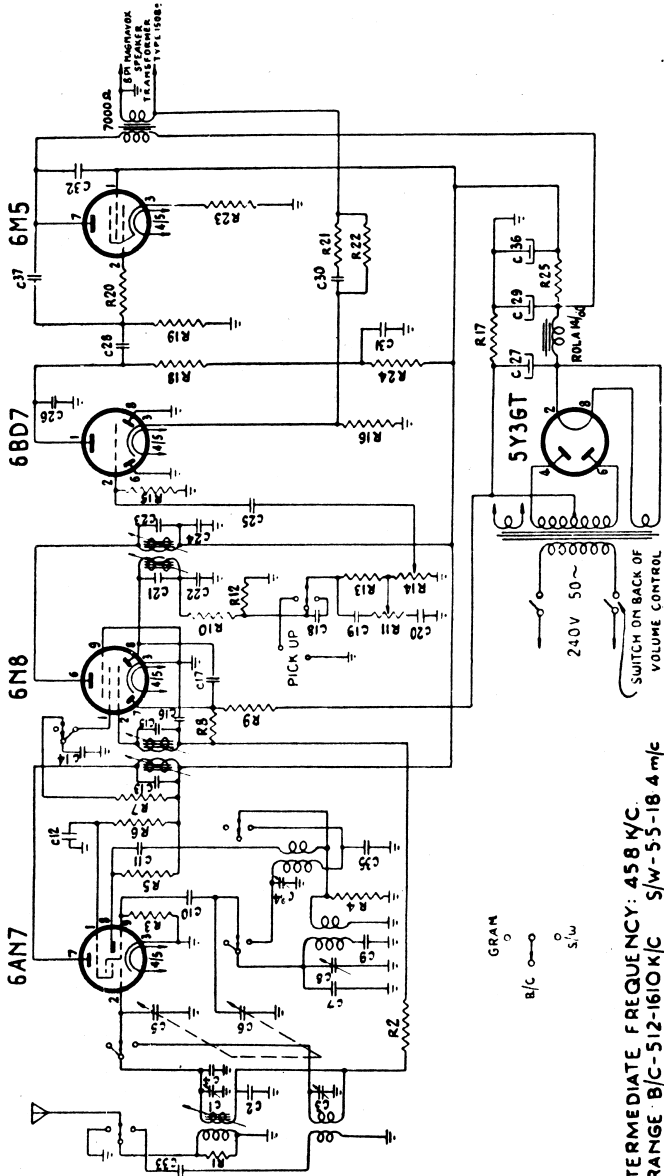


# TASMA M 1331 T



GRAM  
B/C ○○○  
S/W

INTERMEDIATE FREQUENCY: 458 K/C  
FREQUENCY RANGE B/C-512-1610K/C S/W-5.5-18.4 m/c

1	TRIMMER T & S	1	100000 Ω	BT 1
2	1 μfd	2	1000000 Ω	BT 1
3	TRIMMER T & S	3	50000 Ω	BT 1
4	10 μfd	4	5000 Ω	BT 1
5	GANG	5	40000 Ω	BT 1
6	GANG	6	100K	BT 1
7	10 μfd	7	150000 Ω	BT 1
8	TRIMMER T & S	8	1.5 MEG Ω	BT 1
9	420 μfd	9	1 MEG Ω	BT 1
10	50 μfd	10	50000 Ω	BT 1
11	100 μfd	11	1.5 MEG Ω	POT
12	1 μfd	12	1 MEG Ω	BT 1
13	90 μfd	13	1.5 MEG Ω	BT 1
14	1 μfd	14	5 MEG Ω	POT
15	90 μfd	15	1 MEG Ω	BT 1
16	0.5 μfd	16	100 Ω	BU 1
17	50 μfd	17	40 Ω	BU 1
18	100 μfd	18	250000 Ω	BT 1
19	250 μfd	19	5 MEG Ω	BT 1
20	0.04 μfd	20	10000 Ω	BT 1
21	300 μfd	21	5000 Ω	BT 1
22	250 μfd	22	2500 Ω	BT 1
23	150 μfd	23	200 Ω	BU 1
24	1 μfd	24	50K	BT 1
25	0.2 μfd	25	3000 Ω	BT 2
26	100 μfd	26		PT
27	8 μfd	27	525V	
28	0.2 μfd	28	600V	
29	16 μfd	29	525V	
30	25 μfd	30	400V	
31	1 μfd	31	400V	
32	0.04 μfd	32	600V	
33	300 μfd	33		SM
34	TRIMMER T & S	34		
35	0.04 μfd	35		SM
36	8 μfd	36		525V
37	100 μfd	37		PT

# TASMA M 1331 T

## A.C. OPERATED SUPERHETERODYNE. DUAL WAVE RECEPTION.

TABLE OF VOLTAGES AND CURRENTS.

VALVE	FUNCTION	$E_p$	$E_{ag}$	$E_{sg}$	$E_f$	$E_g$
6AN7	CONVERTER	230V	90V	55V	6.3V	1.45V
6N8	I.F. AMPLIFIER	230V		55V	6.3V	1.45V
6BD7	1 <sup>ST</sup> AUDIO	57V			6.3V	0.5V
6M5	OUTPUT	255V		230V	6.3V	6.5V
5Y3GT	RECTIFIER	300V(AC)			5.0V	

ALL VOLTAGES MEASURED TO CHASSIS . . . D.C. 20,000  $\Omega$ /VOLT METER.  
A.C. 1,000  $\Omega$ /VOLT METER

INTERMEDIATE FREQUENCY . . . . . 458 Kcs.

FREQUENCY RANGE . . . . . B/C 512-1610 Kcs.

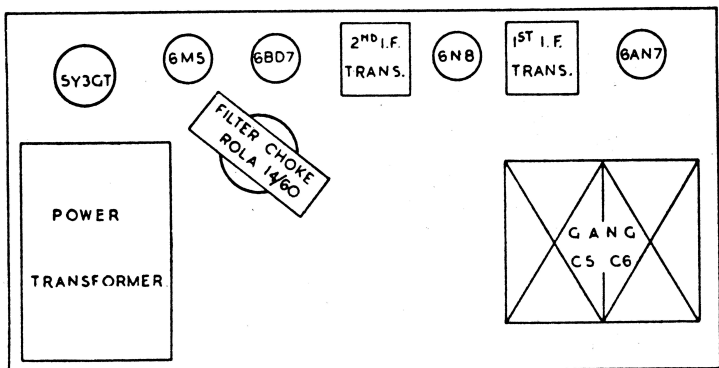
S/W 5.5-18.4 mcs.

OSCILLATOR GRID CURRENT . . . B/C 240-400  $\mu$ /A.

S/W 115-320  $\mu$ /A.

POWER CONSUMPTION . . . . . 45 WATTS.

SUPPLY VOLTAGE . . . . . 220-240 VOLTS 50 CYCLES A.C.



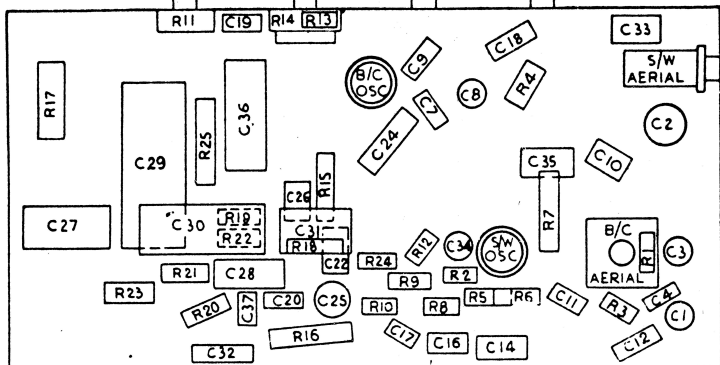
TOP VIEW

TONE CONTROL

VOLUME CONTROL

TUNING

WAVE CHANGE SWITCH



BOTTOM VIEW.